

A house (frame)

(to be covered
w/plywood &
sheet metal)

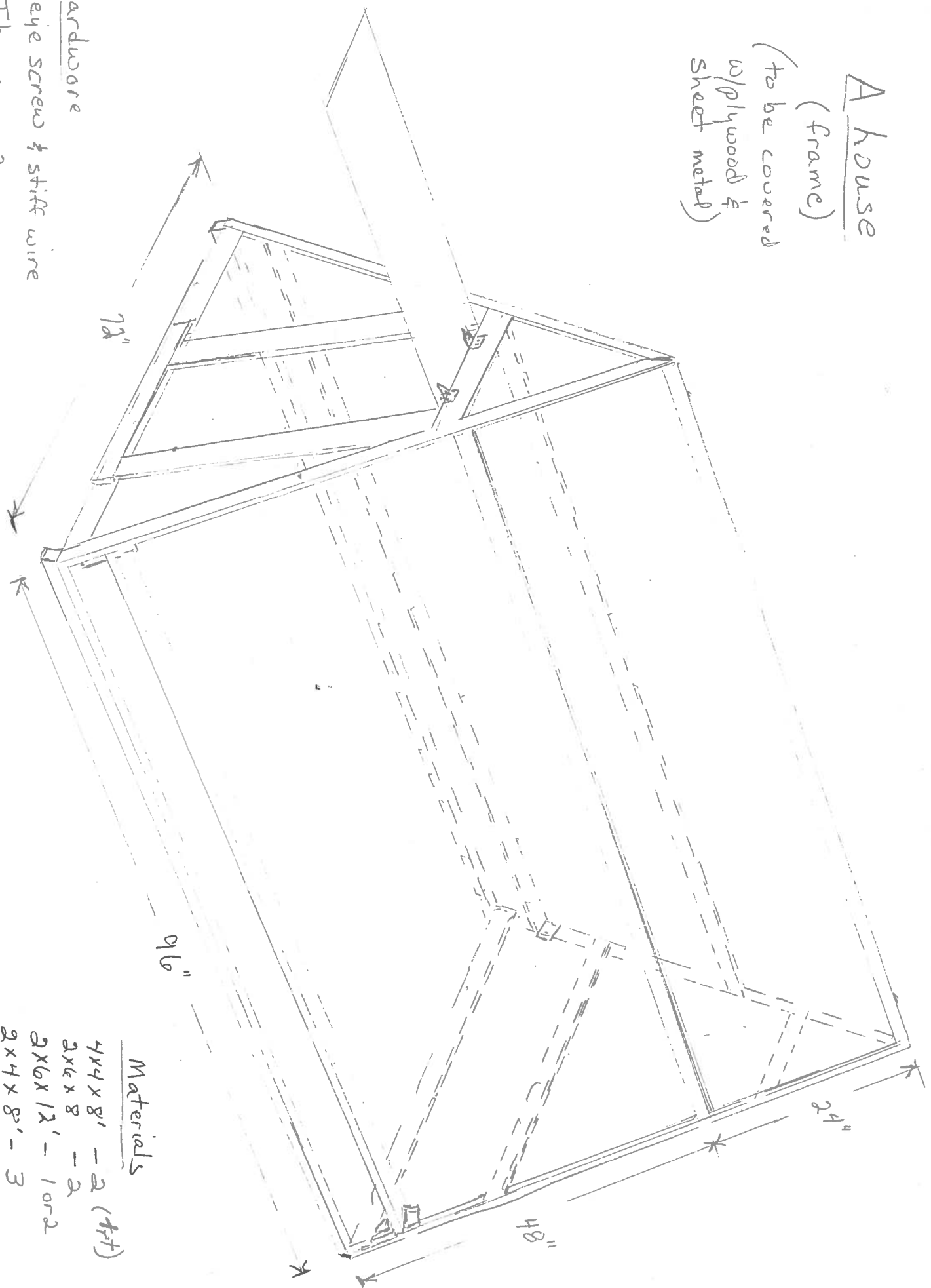
Hardware

1 eye screw & stiff wire

Hinges - 2

Bolts & lag screws
gal. nails - 1/2 or 1/4 gal.

1 3/4" roof-gal.



Materials

4x4x8' - 2 (ft)

2x6x8' - 2

2x6x12' - 1 or 2

2x4x8' - 3

1/2" Siding plywood 3

3/4" tinted " 1
9/16 sq. ft.

Sheet metal
46 sq. ft.