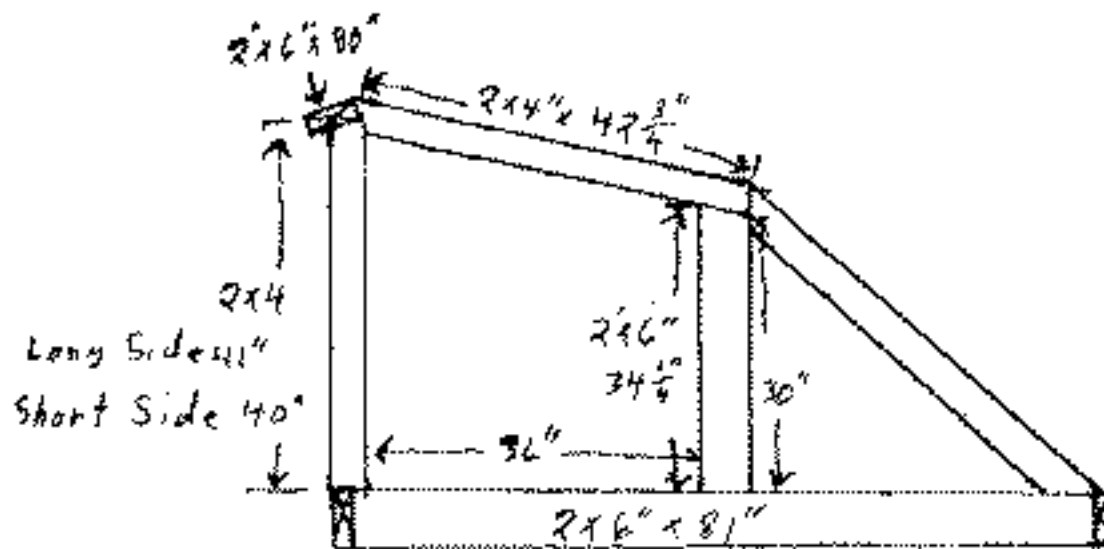


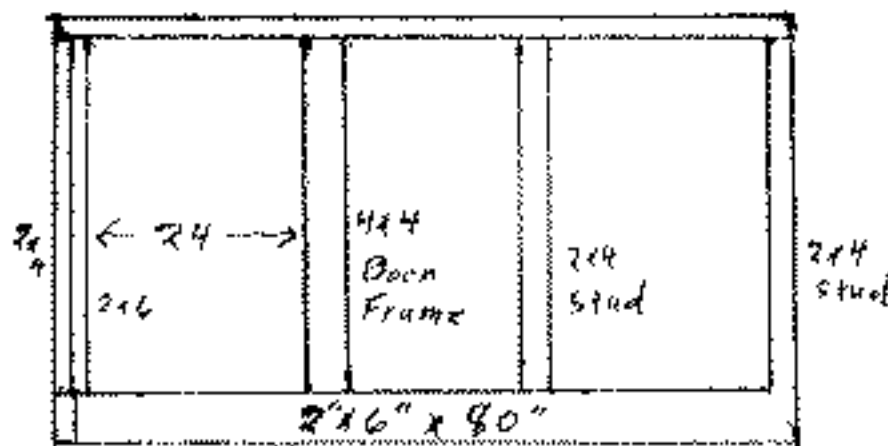
80x80" HUT REVERSE SLOPE HUT

TOM FRANTZEN JAN 2000

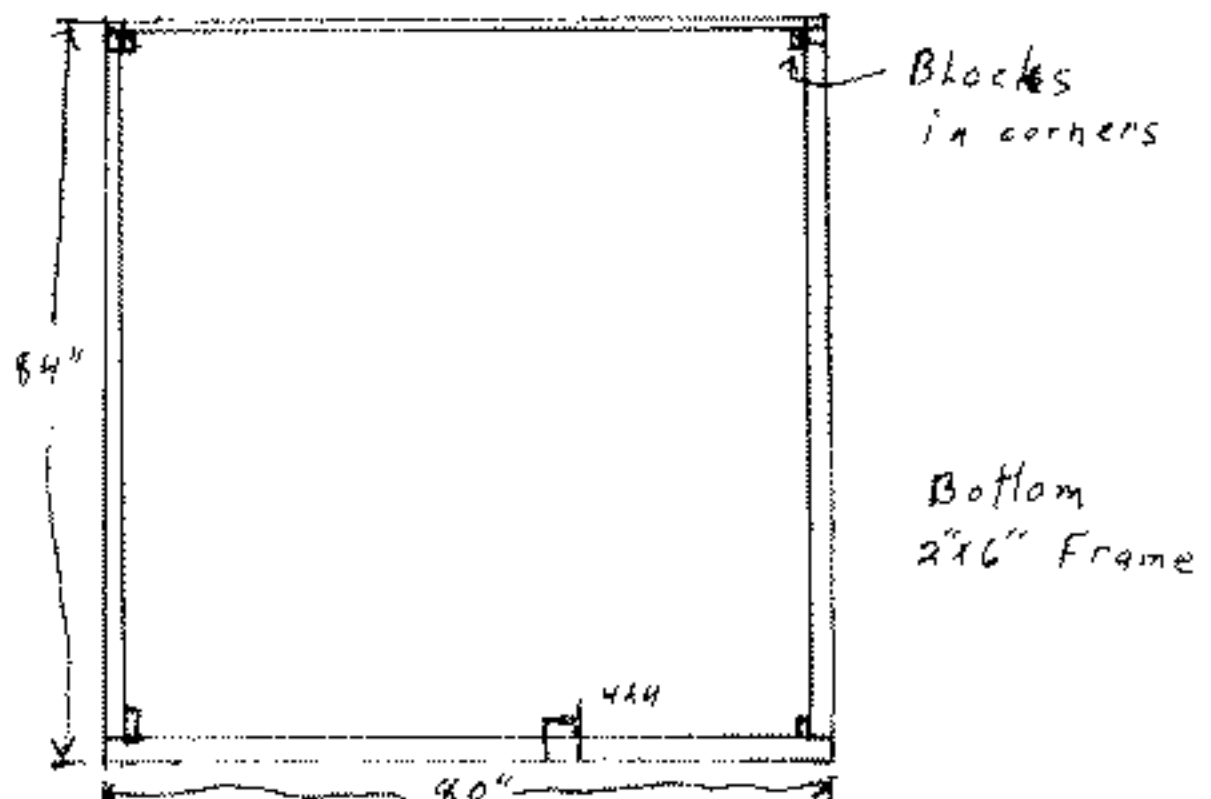
E-Hut – Front, Side & Top



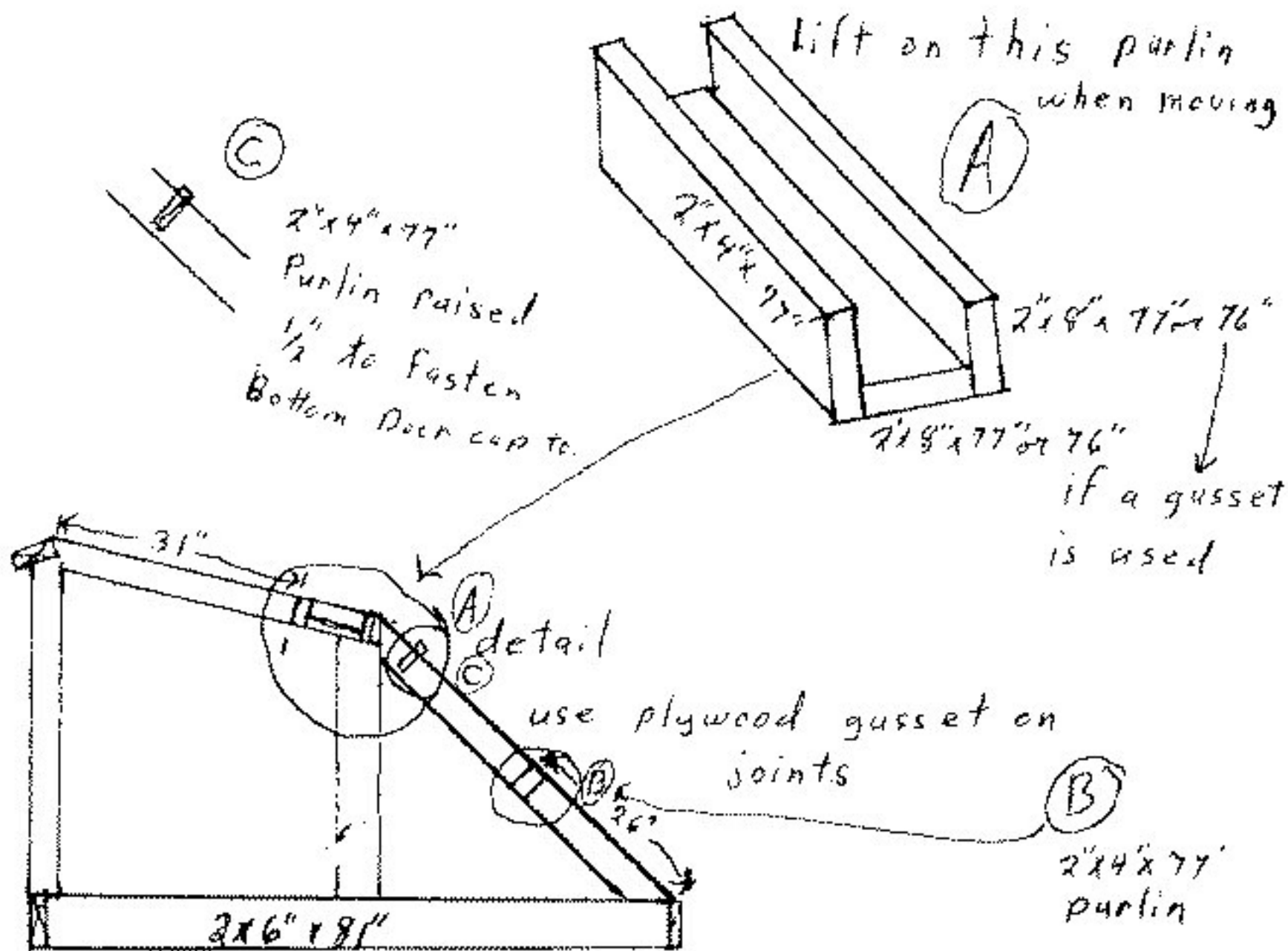
Side View End Wall Framing



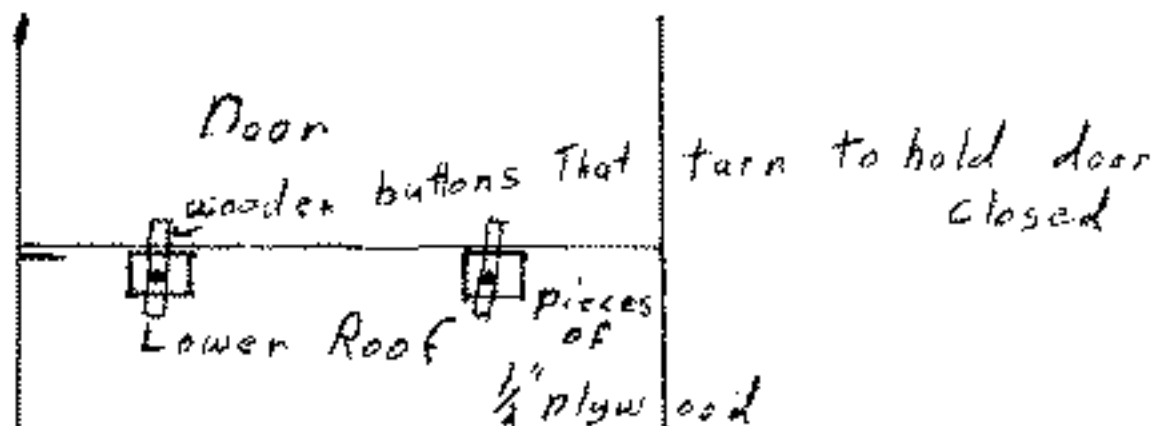
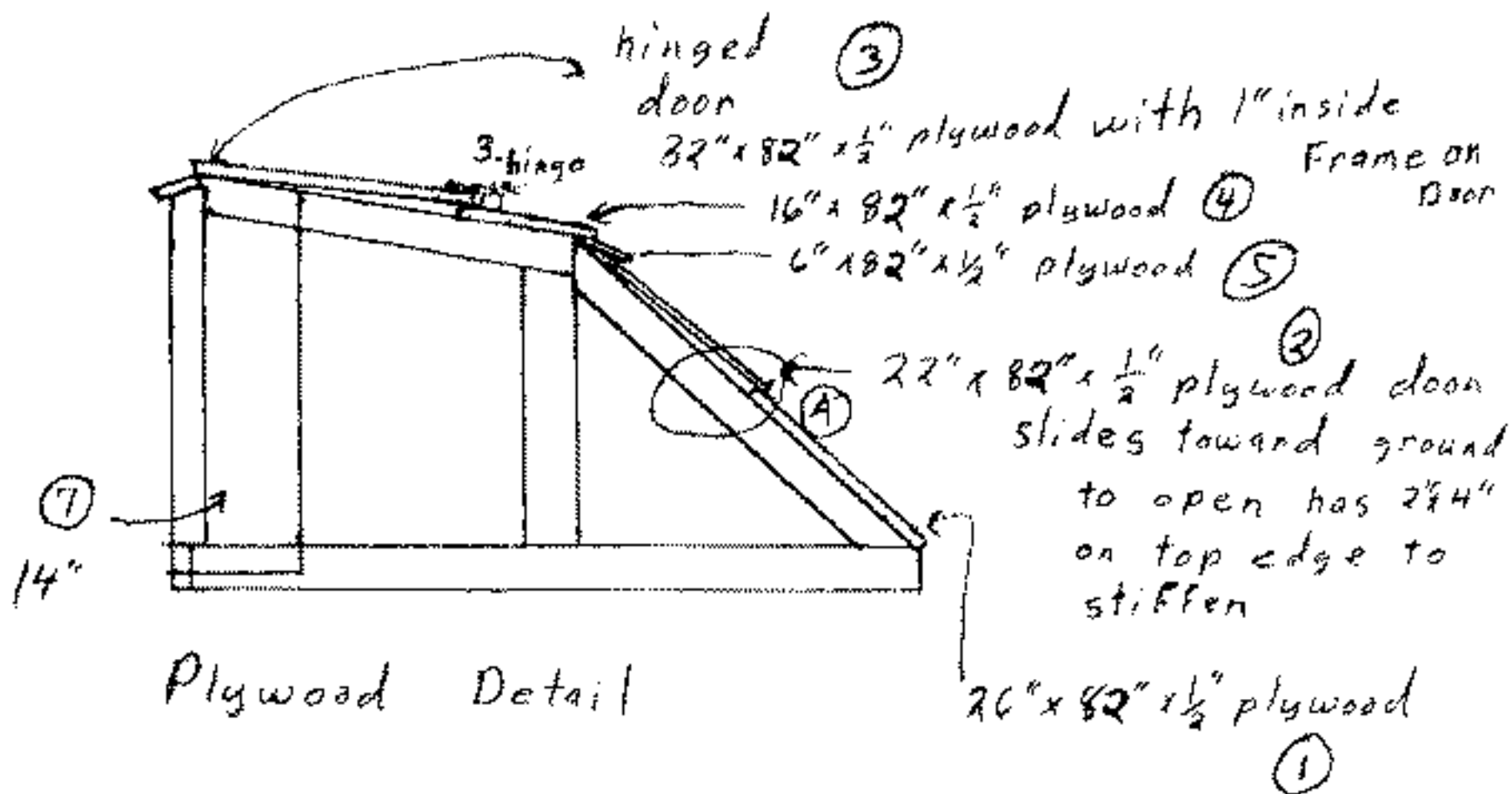
Front Wall Framing



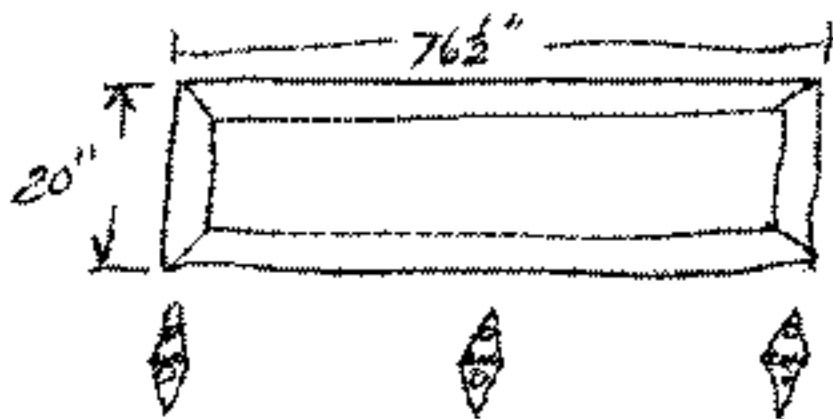
E-Hut – Side View, Purlin Detail



E-Hut – Door Details

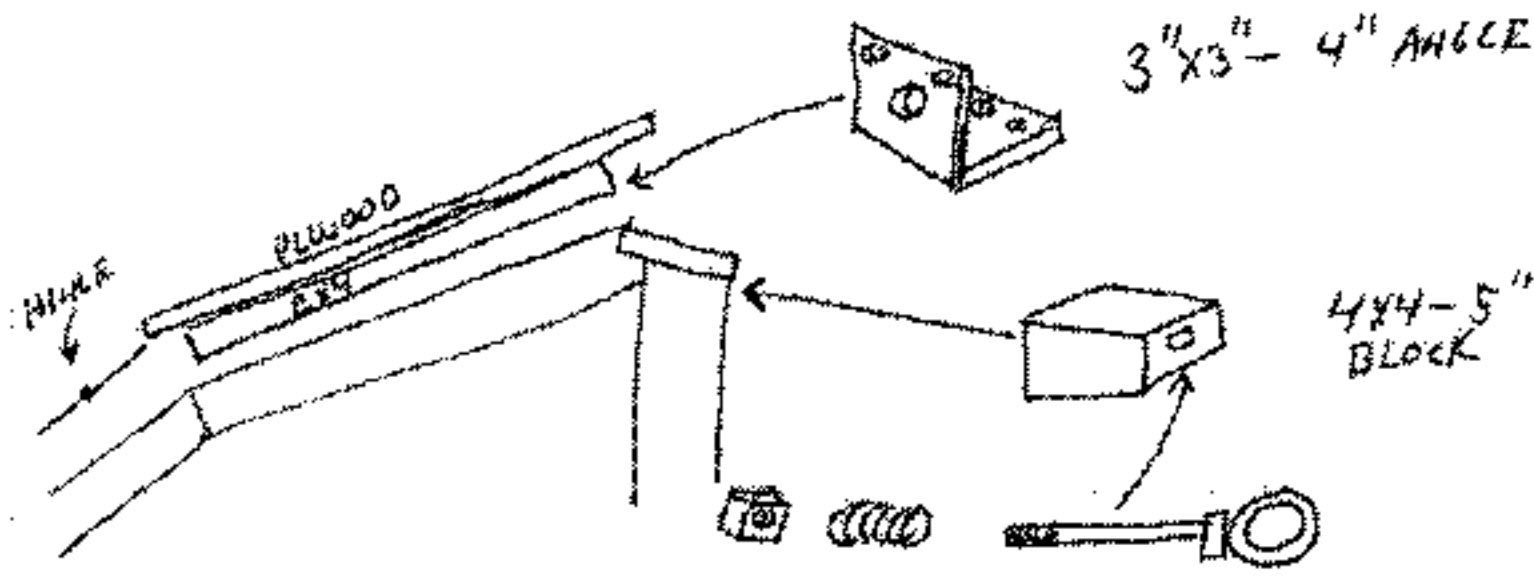


LID DETAILS 80" X 63"
 REVERSE SLOPE
 HUT



2X4 DOOR FRAME

3 HINGES



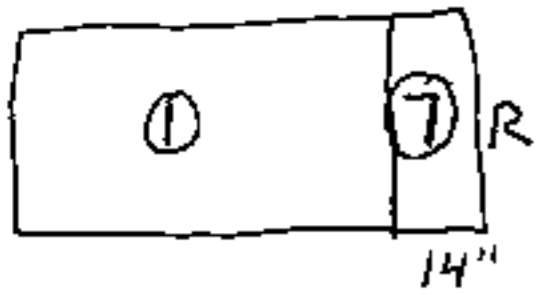
ANGLE IRON HAS THREADED END OF
 $\frac{1}{2}$ " BOLT CATCHING INTO THE HOLE

I USE $\frac{17}{32}$ DRILL BIT FOR HOLES
 IN BLOCK AND ANGLE

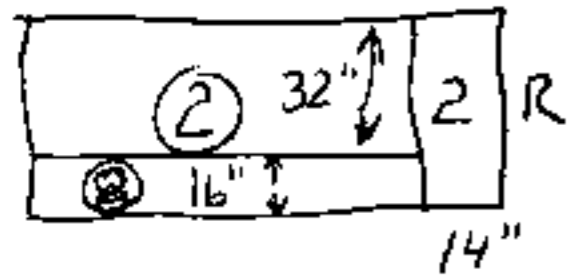
WOOD BLOCK LAG BOLTER TO TOP 2X6

PLYWOOD CUTTING

USES ABOUT 4 SHEETS $\frac{1}{2}$ " BASEMENT GRADE

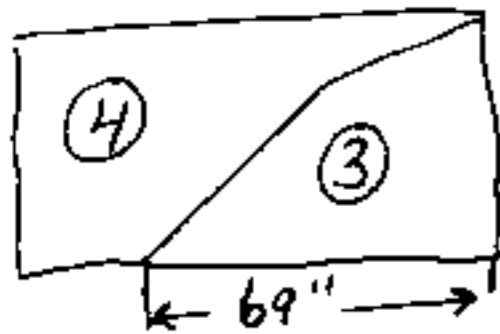


① 82" x 48" LOWER ROOF SHEET



② 82" x 16" UPPER ROOF OVERLAPS ①

② 82" x 32" ROOF LID OVERLAPS ⑧
3 HINGES

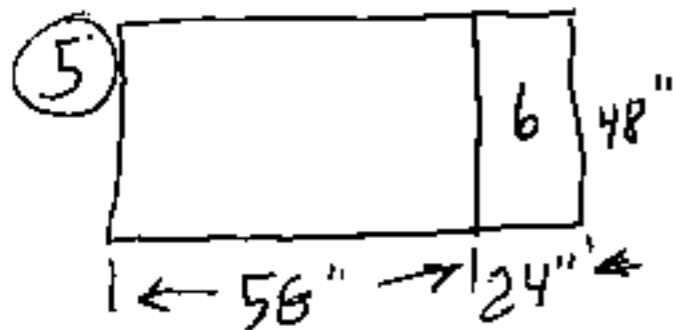


③ SIDE SHEET JOINS 7 R TO FILL ONE SIDE

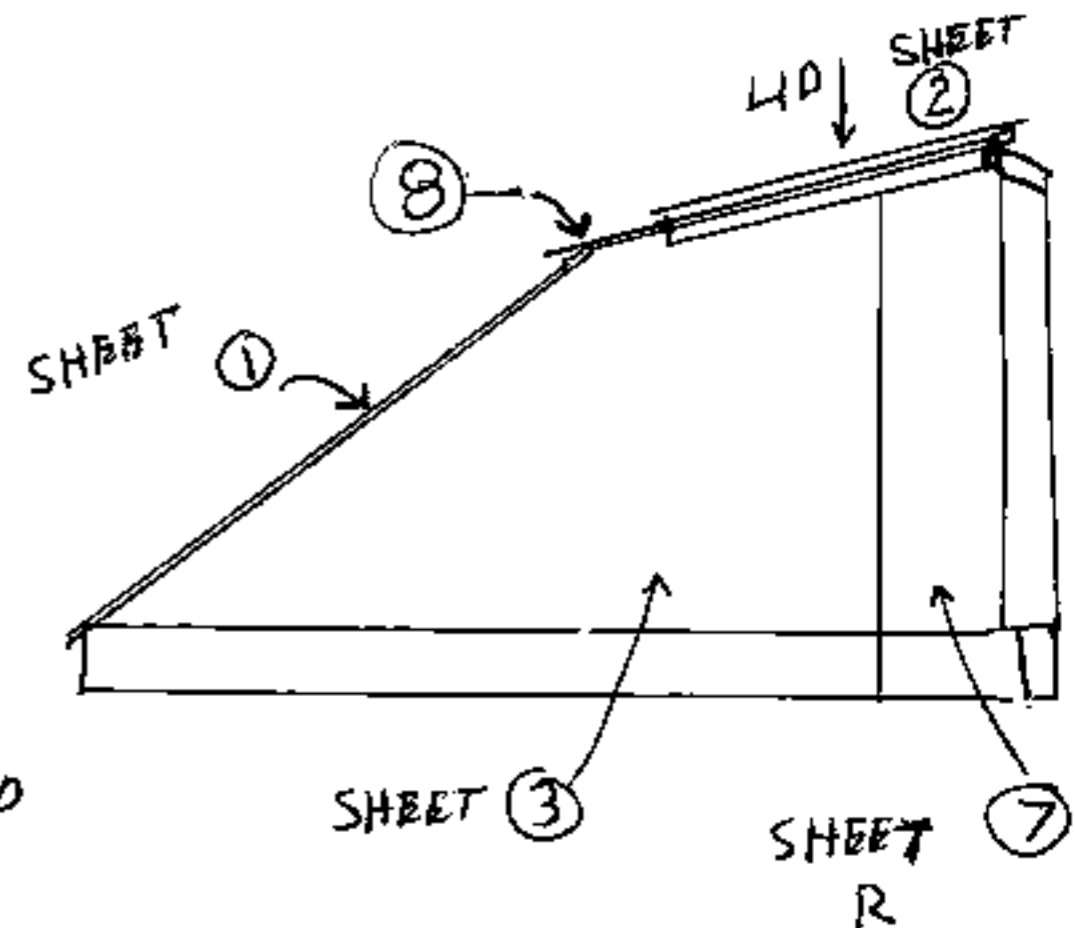
④ SIDE SHEET JOINS 2 R TO FILL 2ND SIDE

⑤ FRONT FACE

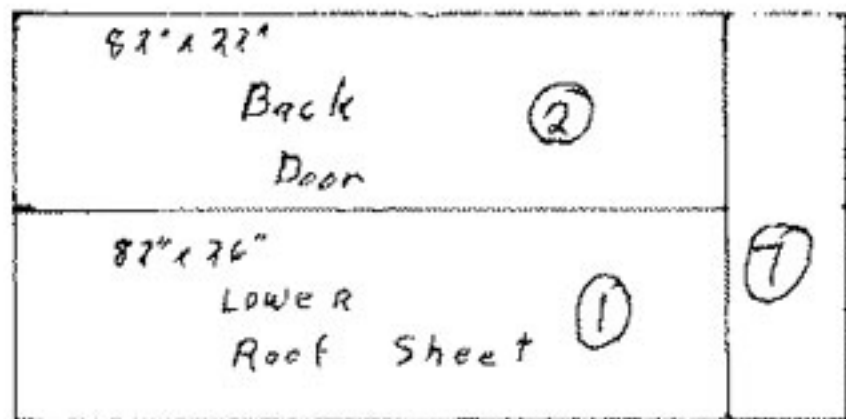
⑥ FRONT DOOR



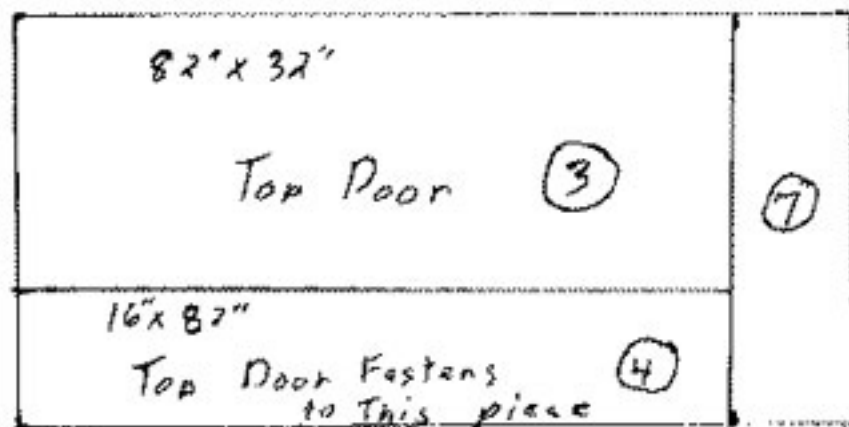
USE HEX SCREWS $1\frac{3}{4}$ TO FASTEN PLYWOOD
NOT NAILS OR DECK SCREWS!



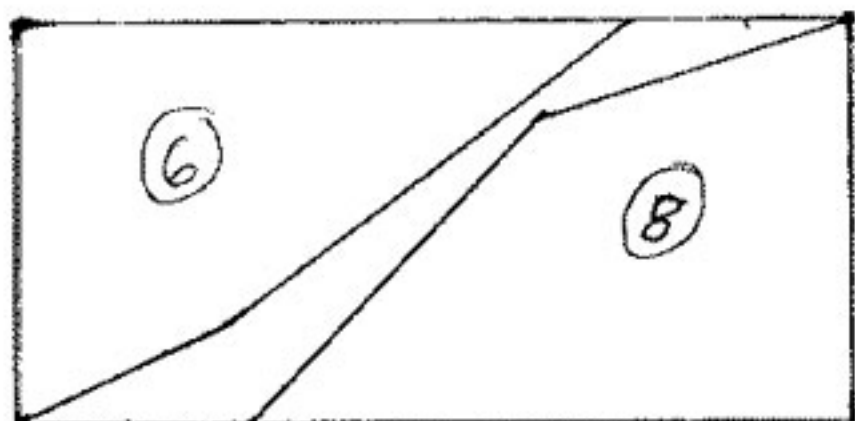
E-Hut – Plywood Cutting



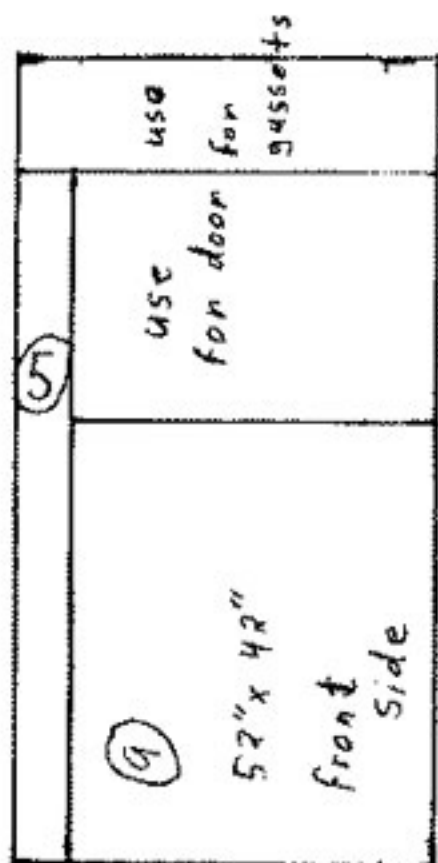
14"



14"



70 1/2"



6" x 82"

Cap for Bottom Door

6 + 8 join 7 to fill one side